



10BP-IG-8ohm



Robust Subwoofer

## Outdoor Burial Subwoofer

---

### Description

10BP-IG-8ohm is an all-weather, in-ground compact subwoofer, featuring a high power 10" long throw all weather low frequency transducer in a band-pass composite roto-mold enclosure. The 10BP-IG-8ohm Subwoofer delivers the punch, impact and clean tight bass necessary for outdoor installations.

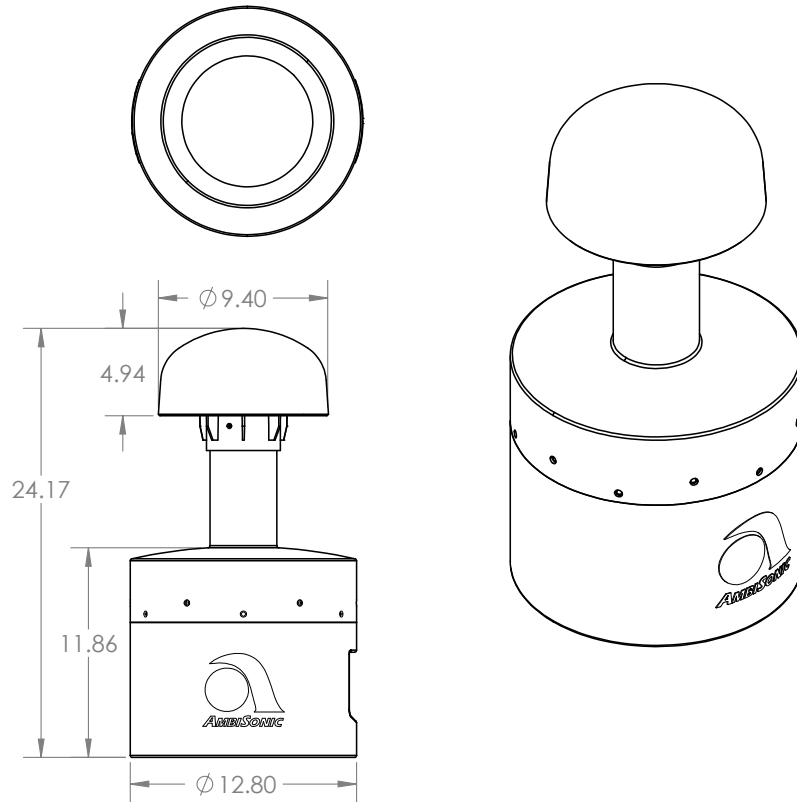
The 10BP-IG-8ohm is designed to be the perfect companion to our line of high definition ribbon based outdoor loudspeakers, delivering the ultimate in high output, high definition low frequency reinforcement for any outdoor environment. Backyard landscapes, patio and pool areas will come alive with unparalleled clarity and detailed sound, engineered to give you years of listening satisfaction and pleasure.

---

### Features

- 10" Band-Pass In-Ground Subwoofer
- Robust Composite Roto-Mold Enclosure IP-65 per IEC529
- 10" 300W Long Throw Woofer
- Waterproof Composite Cone
- Large Rubber Surround
- 9.4" (24cm) Diameter, Textured Power-Coated Aluminum Dome Canopy
- Recessed Waterproof Strain Relief Pocket
- Convenient Handles

## Specifications



System Type	Compact Band-Pass In-Ground Subwoofer with 9.4" (24cm) Canopy
Driver Components	10" Composite Cone All Weather Woofer
Crossover	DSP LPF 80Hz - 120Hz
Frequency Range/ Response	32Hz - 200Hz   39 - 200Hz +/- 3dB
Maximum SPL @ 1m	117dB Continuous, 122dB Peak
Sensitivity, 2.83V @ 1m	93dB
Power Handling	300W RMS, 800W Peak, Displacement Limited
Recommended Amplifier Power	100W - 600W (FTC)
Rated Impedance	8 Ω
Input Connectors	24" Pigtail with Waterproof Wire Nuts
Enclosure	Composite Roto-Mold
Mounting Options	In-Ground, Recommended Depth 13" (5.12cm) to 17" (6.7cm)
Dimensions (H x W x D)	24.17" x 12.8" x 12.8"   61.4cm x 32.5cm x 32.5cm
Weight, Net/Shipping	25.6lbs   11.6kg / 38.5lbs   17.5kg
Warranty	Limited 3-Year Warranty



10BP-IG-70V



Robust Subwoofer



70V | 300 W

Toroidal Transformer

## Outdoor Burial Subwoofer

---

### Description

10BP-IG-70V is an all-weather, in-ground compact subwoofer, featuring a high power 10" long throw all weather low frequency transducer in a band-pass composite roto-mold enclosure. The 10BP-IG Subwoofer delivers the punch, impact and clean tight bass necessary for outdoor installations. Built-in high-performance custom built 70 Volt 300 Watt Toroidal Transformer with low insertion loss and linear response for use when long wire runs or distributed audio is a requirement.

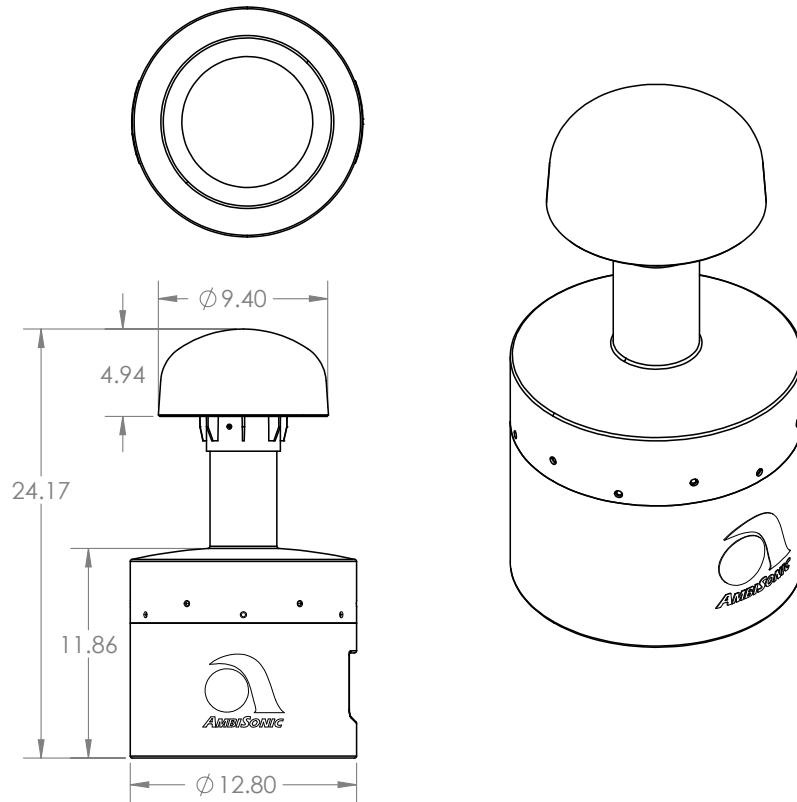
The 10BP-IG-70V is designed to be the perfect companion to our line of high definition ribbon based outdoor loudspeakers, delivering the ultimate in high output, high definition low frequency reinforcement for any outdoor environment. Backyard landscapes, patio and pool areas will come alive with unparalleled clarity and detailed sound, engineered to give you years of listening satisfaction and pleasure.

---

### Features

- 10" Band-Pass In-Ground Subwoofer
- Robust Composite Roto-Mold Enclosure IP-65 per IEC529
- 10" 300W Long Throw Woofer
- Waterproof Composite Cone
- Large Rubber Surround
- 9.4" (24cm) Diameter, Textured Power-Coated Aluminum Dome Canopy
- Recessed Waterproof Strain Relief Pocket
- Convenient Handles
- Included 300W 70V In-Ground Transformer (Part # JB1300)

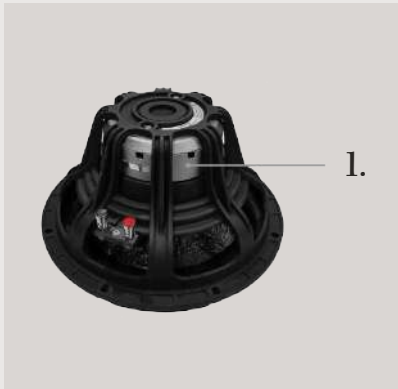
## Specifications



System Type	Compact Band-Pass In-Ground Subwoofer with 9.4" (24cm) Canopy
Driver Components	10" Composite Cone All Weather Woofer
Crossover	DSP LPF 80Hz - 120Hz
Frequency Range/ Response	32Hz - 200Hz   39 - 200Hz +/- 3dB
Maximum SPL @ 1m	117dB Continuous, 122dB Peak
Sensitivity, 2.83V@ 1m	93dB
Power Handling	300W RMS, 800W Peak, Displacement Limited
Recommended Amplifier Power	300W (FTC)
Rated Impedance	70V
Input Connectors	24" Pigtail with Waterproof Wire Nuts
Enclosure	Composite Roto-Mold
Mounting Options	In-Ground, Recommended Depth 13" (5.12cm) to 17" (6.7cm)
Included Part	In-Ground 300W 70V Transformer Part # JBI300
Dimensions (H x W x D)	24.17" x 12.8" x 12.8"   61.4cm x 32.5cm x 32.5cm Transformer Part #JBI300 24.17" x 12.8" x 12.8"   61.4 cm x 32.5 cm x 32.5 cm
Weight, Net/Shipping	25.6lbs   11.6kg / 38.5lbs   17.5kg
Warranty	Limited 3-Year Warranty



12BP-IG-8ohm



Feature Highlights



Feature Highlights

## Outdoor Burial Subwoofer

---

### Description

12BP-IG-8ohm is an all-weather, in-ground, compact subwoofer, featuring a high power 12" long throw all weather low frequency transducer. Ambisonic features its unique bandpass parallel double-tuned design only with this model, in which the composite enclosure and all components within are completely weatherproof.

The 12BP-IG-8ohm Subwoofer delivers the punch, impact and clean tight bass necessary for outdoor installation. The 12BP-IG is designed to be the perfect companion to our HD Series outdoor loudspeakers, delivering the ultimate experience in high output audio for any outdoor environment. Backyard landscapes, patio and pool areas will come alive with unparalleled clarity and detailed sound, engineered to give you years of listening satisfaction and pleasure.

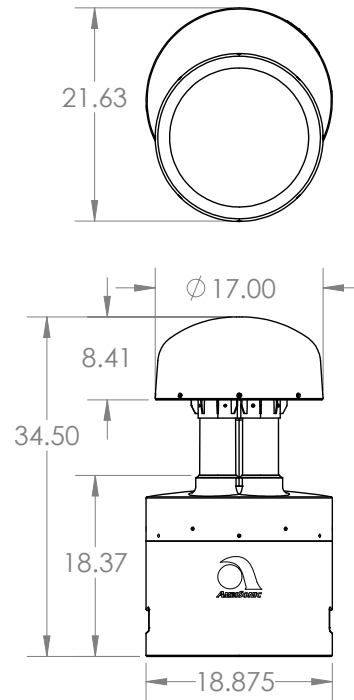
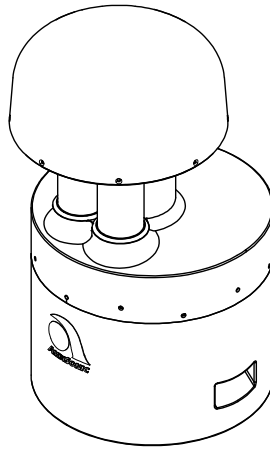
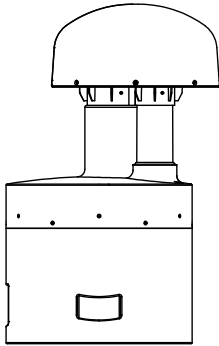
---

### Features

- 12" Band-Pass In-Ground Subwoofer
- Robust Composite Roto-Mold Enclosure IP-65 per IEC529
- 12" 1,000W Long Throw Woofer
- Waterproof Composite Cone & Large Rubber Surround
- 17" (43cm) Diameter, Textured Powder-Coated Aluminum Dome Canopy
- Recessed Waterproof Strain Relief Pocket
- Convenient Handles

## Feature Highlights Key

1. Integrated Neodymium Magnet
2. Waterproof Composite Cone
3. Large Rubber Surround



System Type	Bandpass Parallel Double Tuned In-Ground Subwoofer
Driver Components	All Weather 12" Long Throw Woofer
Crossover	Recommended HPF = 30Hz 12dB per Octave Butterworth
Frequency Range/ Response	28Hz - 140Hz   36Hz - 140Hz +/- 3dB
Maximum SPL@ 1m	123dB Continuous, 127dB Peak
Sensitivity, 2.83V@ 1m	93dB
Power Handling	1000W RMS, 2500W Peak, Displacement Limited
Recommended Amplifier Power	1000W - 2000W
Rated Impedance	8 Ω
Input Connectors	24" x 12AWG Pigtail with Waterproof Wire Nuts
Enclosure	Composite Roto-Mold
Dimensions (H x W x D)	34.5" x 21.625" x 18.875"   87.5cm x 65cm x 47.9cm
Weight, Net/Shipping	60lbs   27.2kg / 67lbs   30.4kg
Warranty	Limited 3-Year Warranty



12BP-IG-70V



70V | 300 W

Toroidal Transformer



Feature Highlights

## Outdoor Burial Subwoofer

### Description

12BP-IG-70V is an all-weather, in-ground, compact subwoofer, featuring a high power 12" long throw all weather low frequency transducer. Ambisonic features its unique bandpass parallel double-tuned design only with this model, in which the composite enclosure and all components within are completely weatherproof. Built-in high performance custom built 70 Volt 300 Watt Toroidal Transformer with low insertion loss and linear response for use when long wire runs or distributed audio is a requirement.

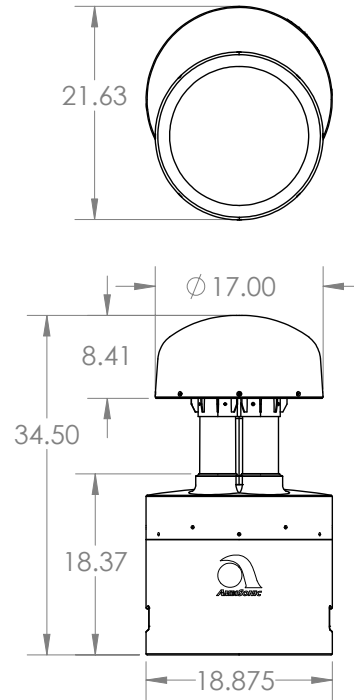
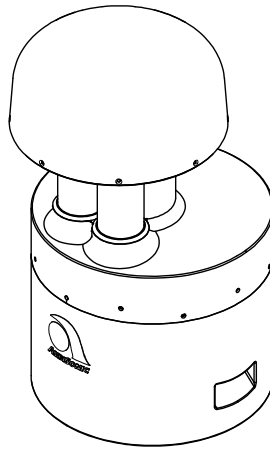
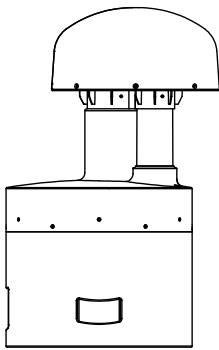
The 12BP-IG-70V Subwoofer delivers the punch, impact and clean tight bass necessary for outdoor installation. The 12BP-IG-70V is designed to be the perfect companion to our HD Series outdoor loudspeakers, delivering the ultimate experience in high output audio for any outdoor environment. Backyard landscapes, patio and pool areas will come alive with unparalleled clarity and detailed sound, engineered to give you years of listening satisfaction and pleasure.

### Features

- 12" Band-Pass In-Ground Subwoofer
- Robust Composite Roto-Mold Enclosure IP-65 per IEC529
- 12" 1,000W Long Throw Woofer
- Waterproof Composite Cone & Large Rubber Surround
- 17" (43cm) Diameter, Textured Powder-Coated Aluminum Dome Canopy
- Recessed Waterproof Strain Relief Pocket
- Convenient Handles
- Included 300W 70V In-Ground Transformer (Part # JBI300)

## Feature Highlights Key

1. Integrated Neodymium Magnet
2. Waterproof Composite Cone
3. Large Rubber Surround



System Type	Bandpass Parallel Double Tuned In-Ground Subwoofer
Driver Components	All Weather 12" Long Throw Woofer
Crossover	Recommended HPF = 30Hz 12dB per Octave Butterworth
Frequency Range/ Response	28Hz - 140Hz   36Hz - 140Hz +/- 3dB
Maximum SPL@ 1m	123dB Continuous, 127dB Peak
Sensitivity, 2.83V@ 1m	93dB
Power Handling	1000W RMS, 2500W Peak, Displacement Limited
Recommended Amplifier Power	300W (FTC)
Rated Impedance	70V
Input Connectors	24" x 12AWG Pigtail with Waterproof Wire Nuts
Enclosure	Composite Roto-Mold
Included Part	In-Ground 300W 70V Transformer Part # JBI300
Dimensions (H x W x D)	34.5" x 21.625" x 18.875"   87.5cm x 65cm x 47.9cm Transformer Part #JBI300 24.17" x 12.8" x 12.8"   61.4 cm x 32.5 cm x 32.5 cm
Weight, Net/Shipping	60lbs   27.2kg / 67lbs   30.4kg
Warranty	Limited 3-Year Warranty