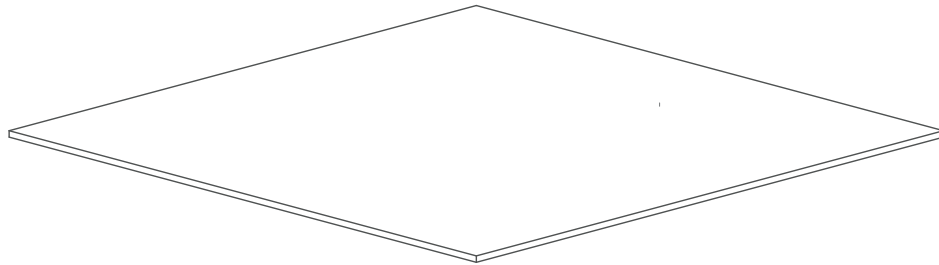


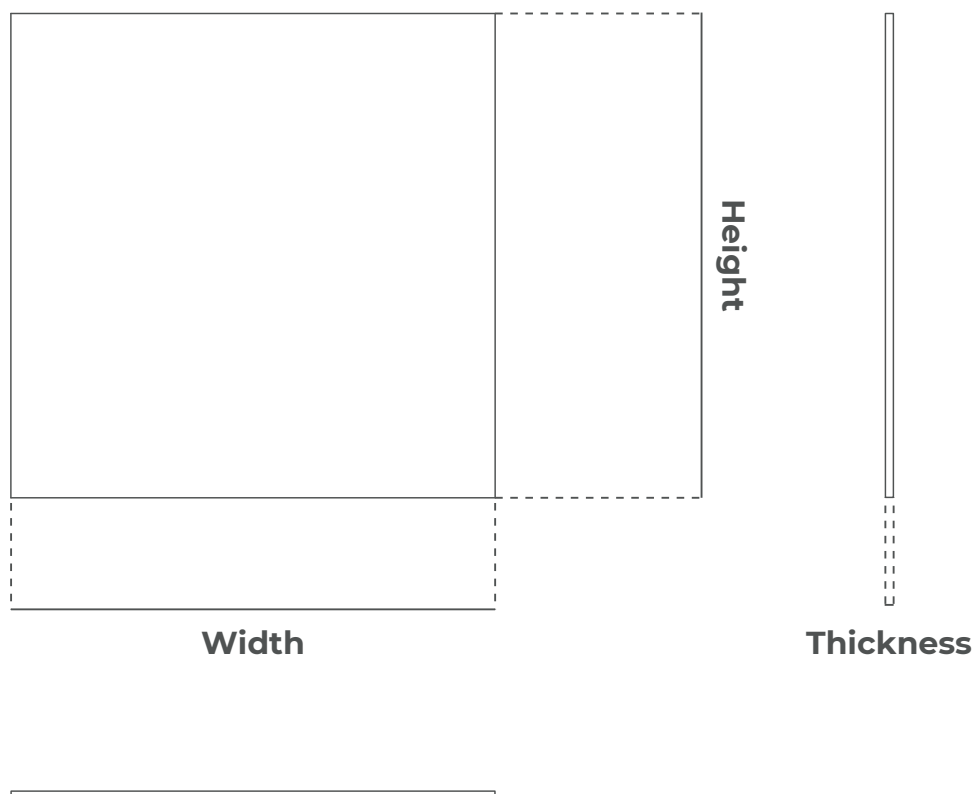
Technical File

Marble



01

Dimensions



Marble

Width: 1190 mm Height: 1190 mm Thickness: 12 mm

02

Printed Materials



Composition 100% PET
Thickness 12 mm
Flame Retardancy EN 13501-1: B-s1,d0
STANDARD 100 by OEKO-TEX®

Print Finish
Marble A



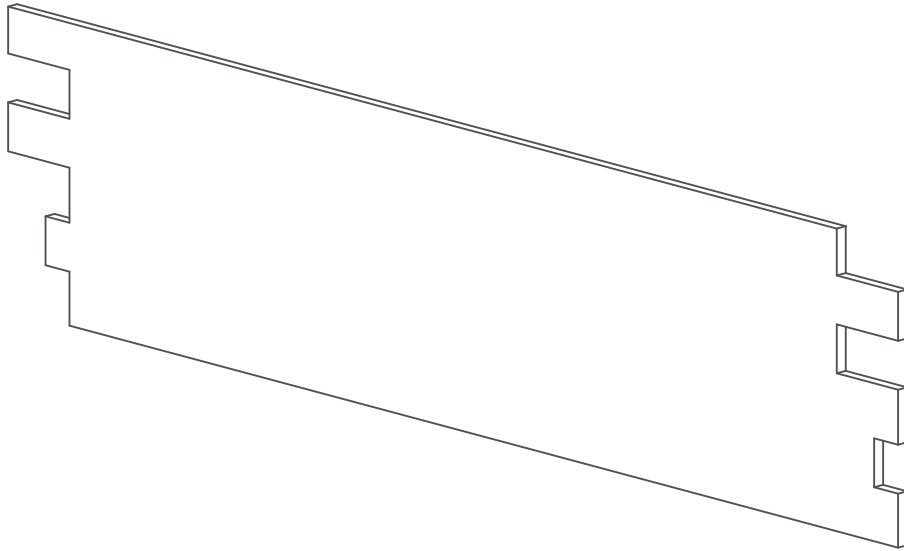
Composition 100% PET
Thickness 12 mm
Flame Retardancy EN 13501-1: B-s1,d0
STANDARD 100 by OEKO-TEX®

Print Finish
Marble B



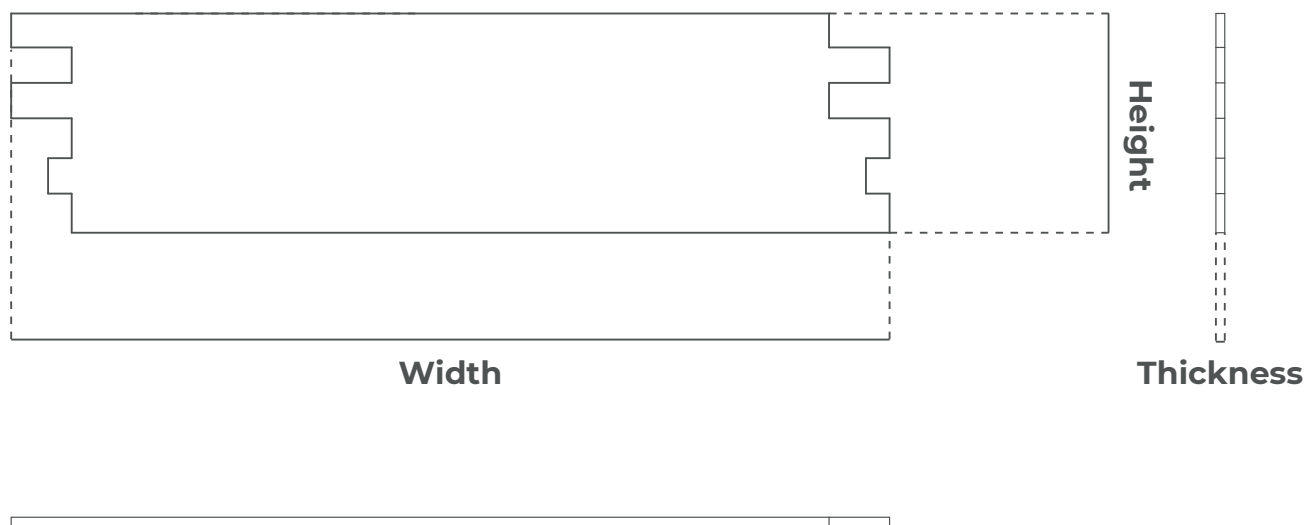
Technical File

White Brick



01

Dimensions



White Brick

Width: 297mm Height: 1190 mm Thickness: 12 mm

02

Printed Materials



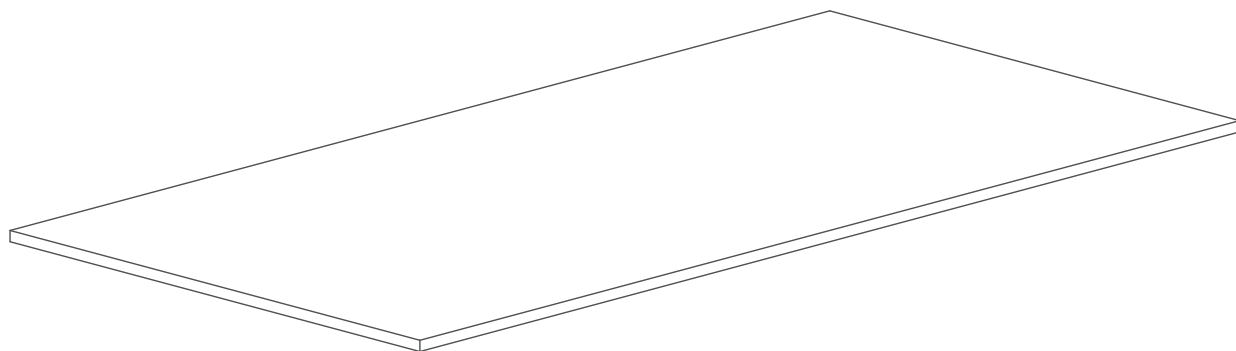
Composition 100% PET
Thickness 12 mm
Flame Retardancy EN 13501-1: B-s1,d0
STANDARD 100 by OEKO-TEX®

Print Finish
White Brick



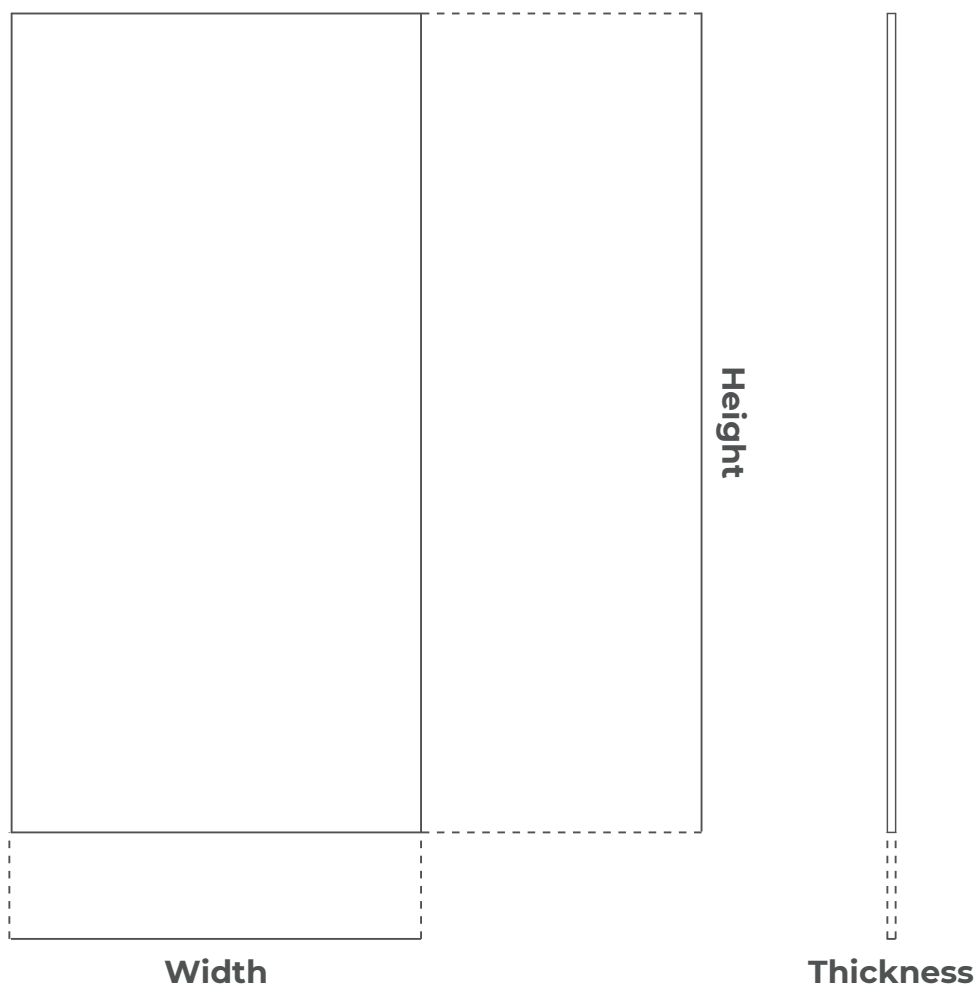
Technical File

Concrete



01

Dimensions

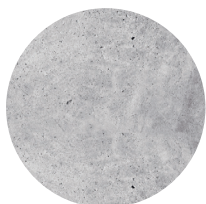


Concrete

Width: 595 mm Height: 1190 mm Thickness: 12 mm

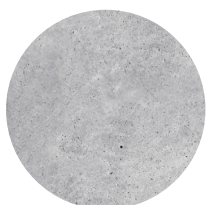
02

Printed Materials



Composition 100% PET
Thickness 12 mm
Flame Retardancy EN 13501-1: B-s1,d0
STANDARD 100 by OEKO-TEX®

Print Finish
Concrete A



Composition 100% PET
Thickness 12 mm
Flame Retardancy EN 13501-1: B-s1,d0
STANDARD 100 by OEKO-TEX®

Print Finish
Concrete B

